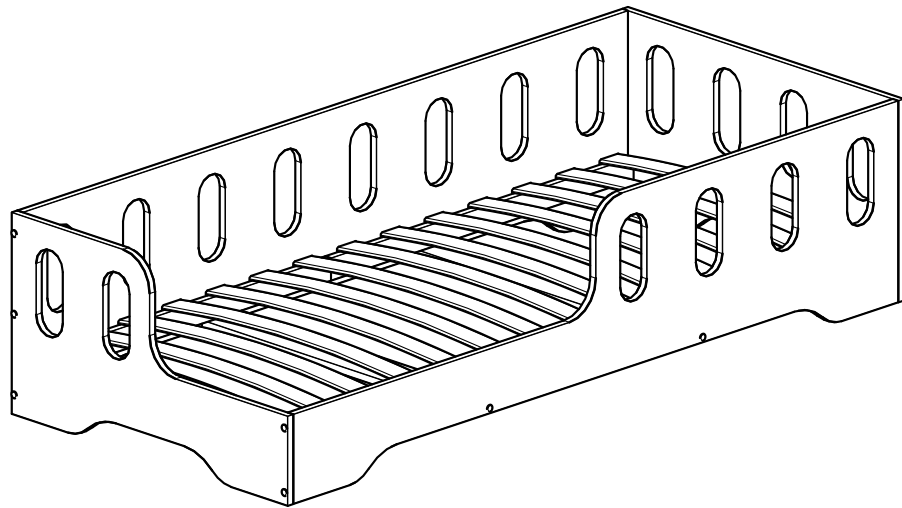
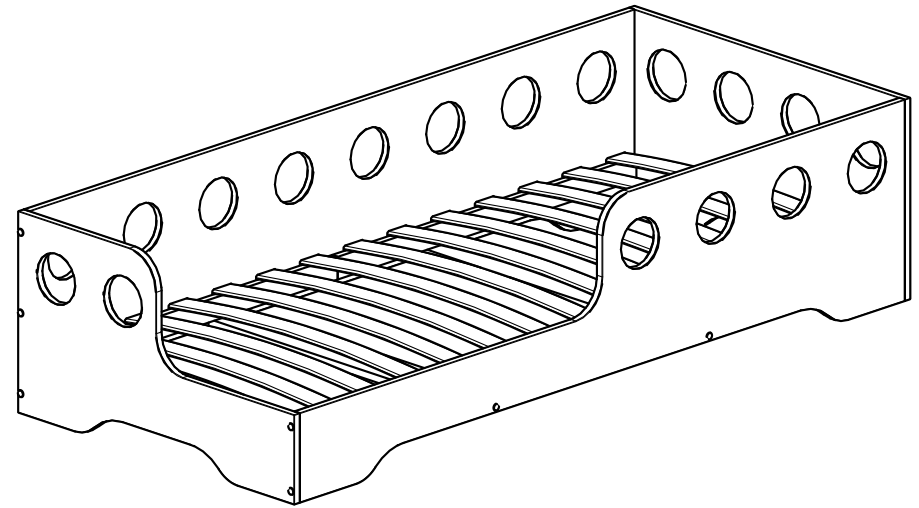


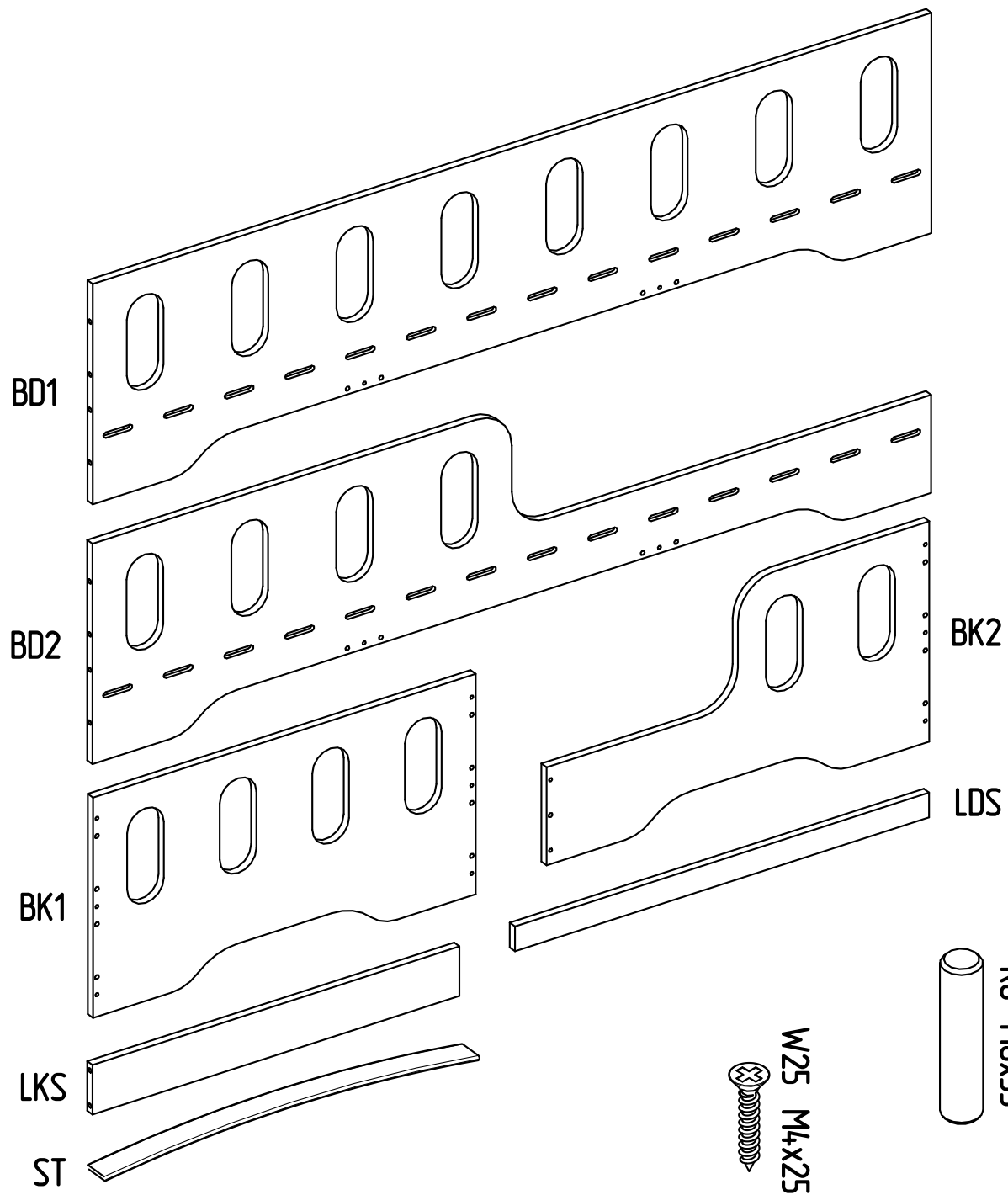
Assembly instruction for models

TILA 1L



TILA 5L



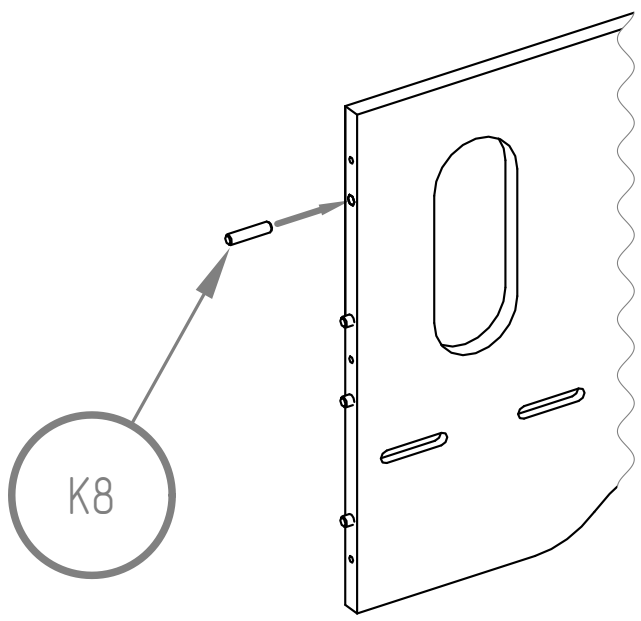


ELEMENTS

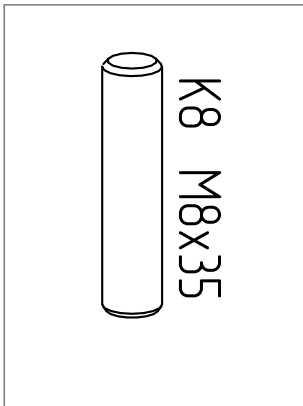
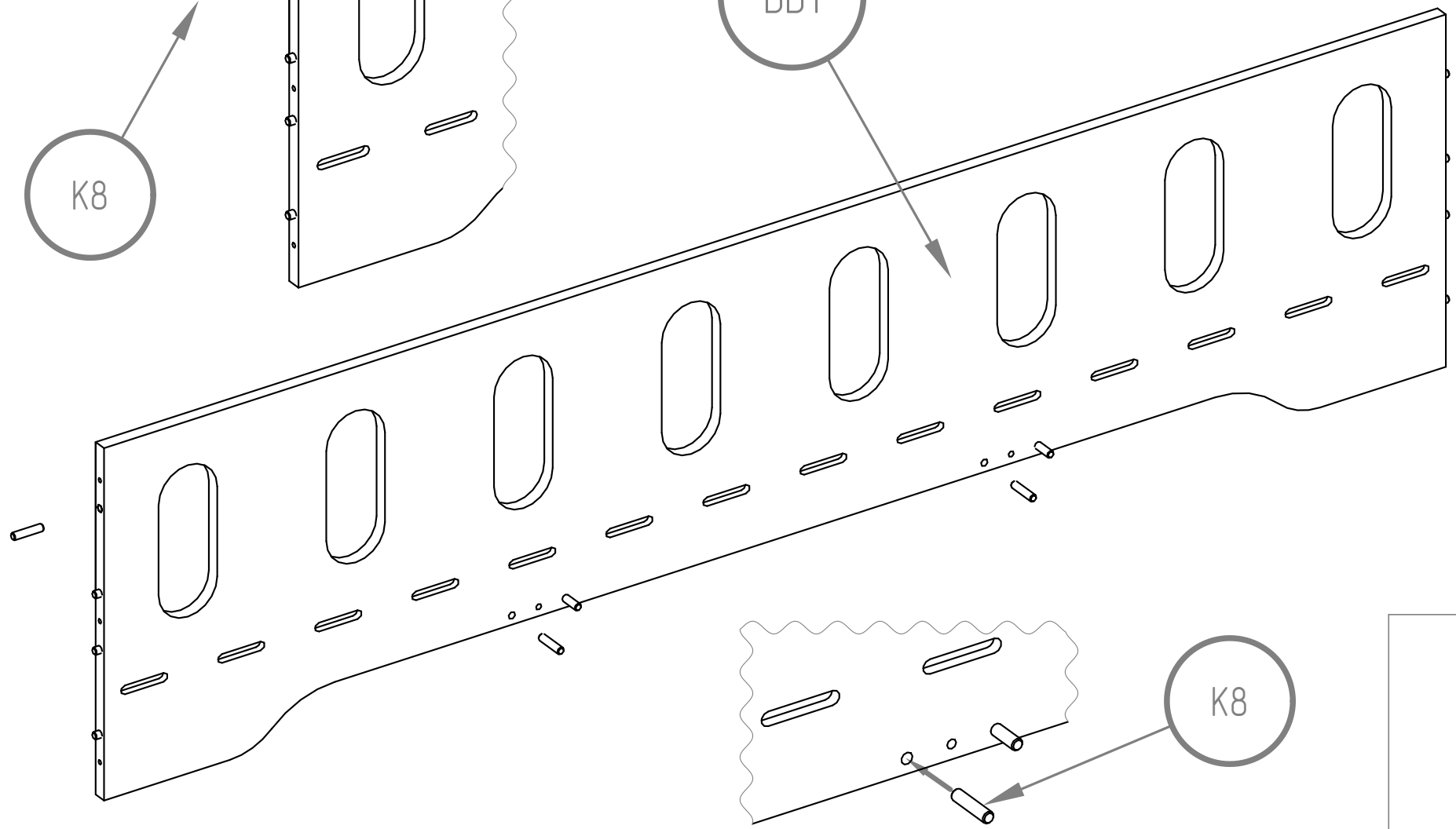
BD1	x1
BD2	x1
BK1	x1
BK2	x1
LDS	x4
LKS	x2
ST	x12-16

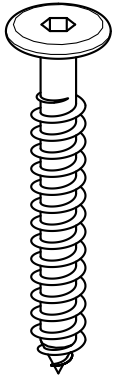
SCREWS

S50	x15
K8	x19
W25	x12

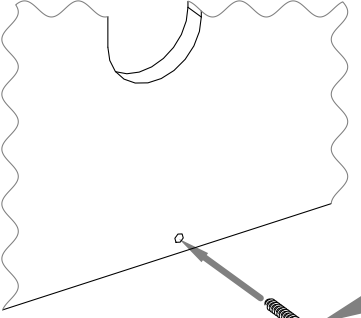


BD1

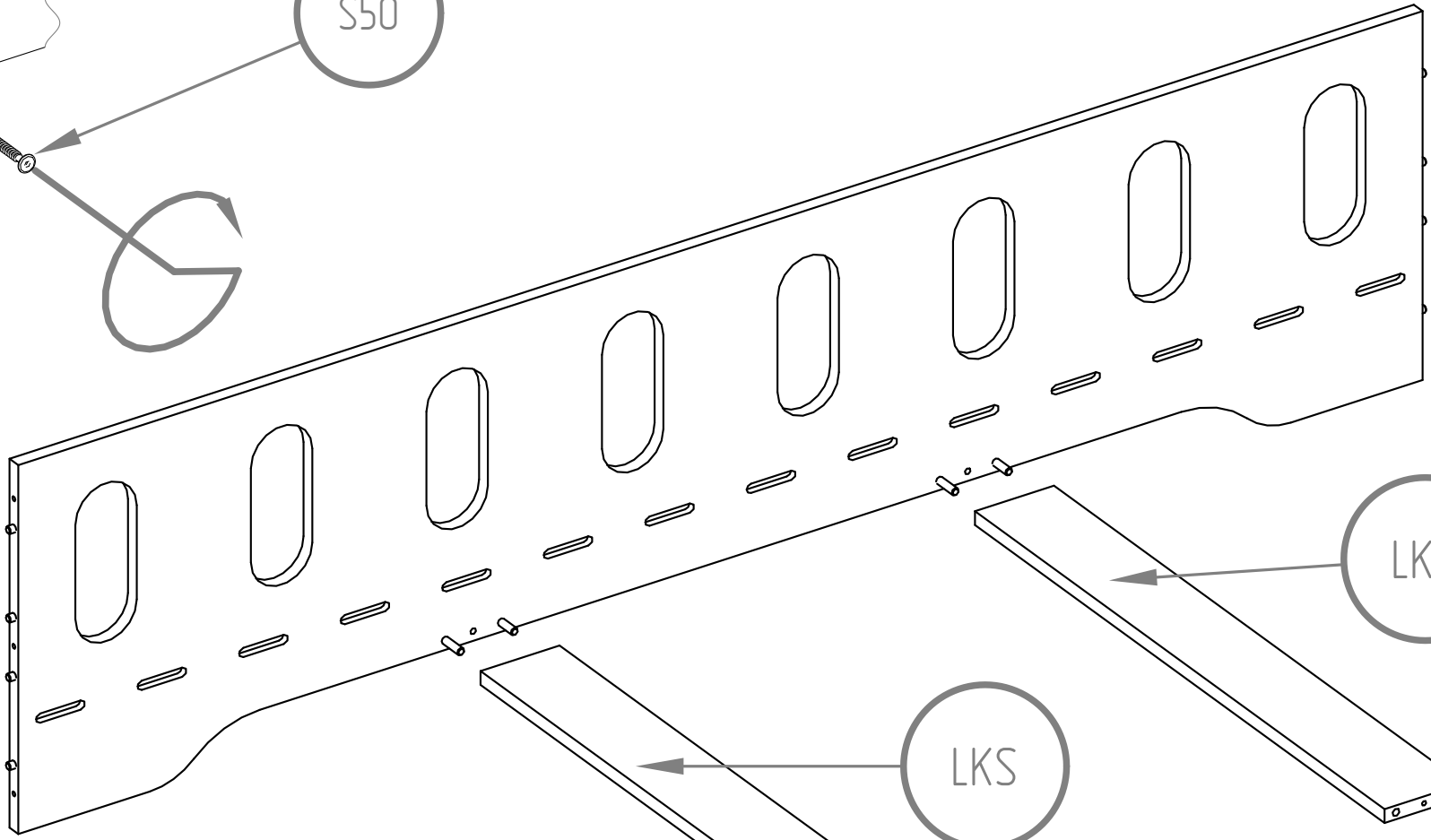




S50 M6X50

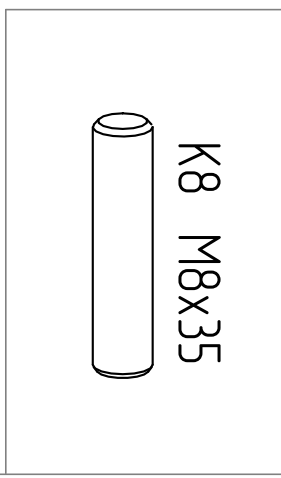
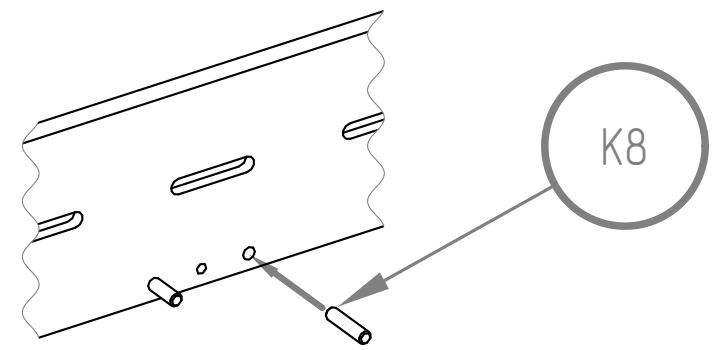
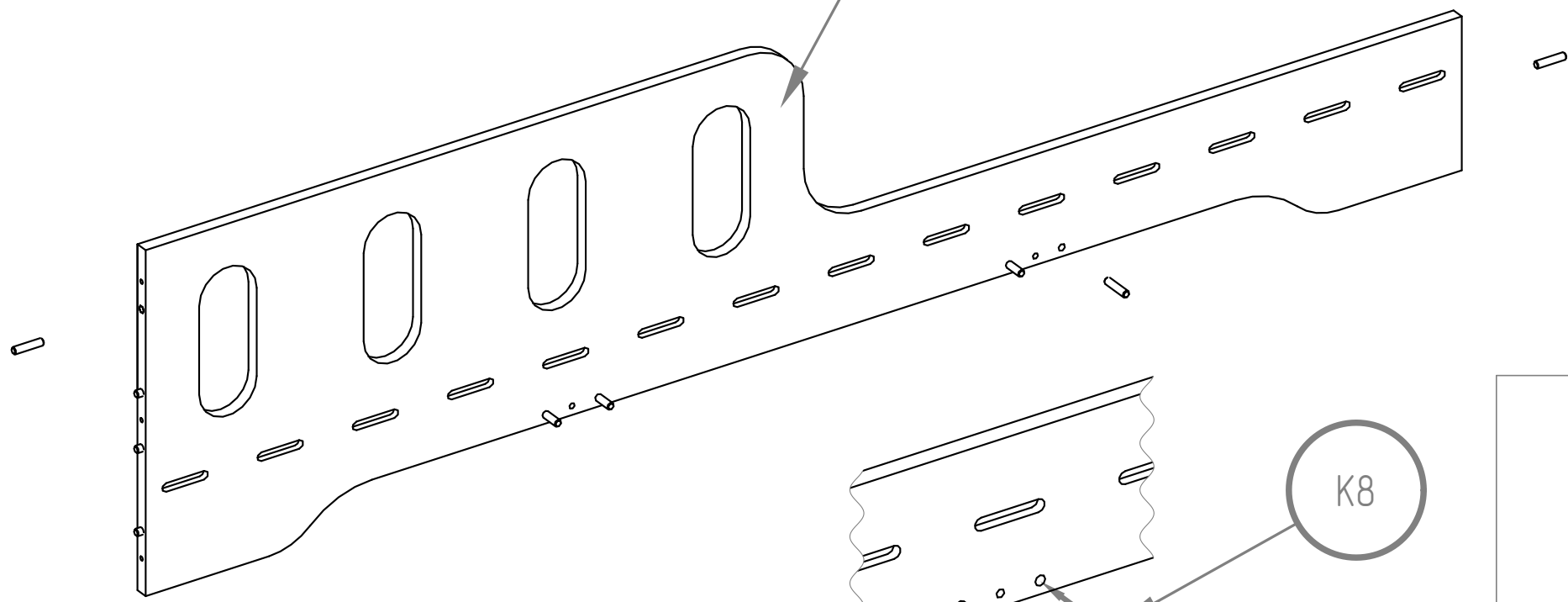
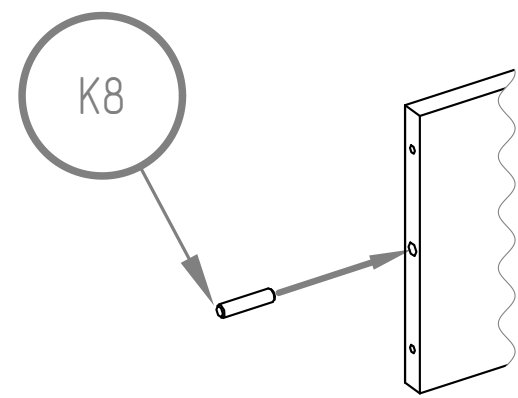
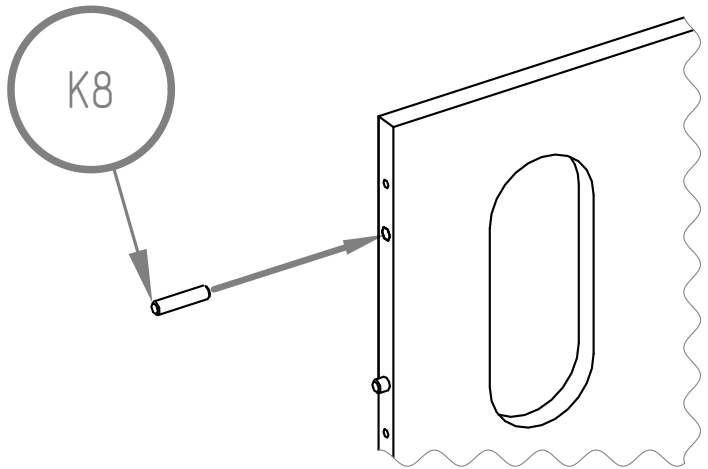


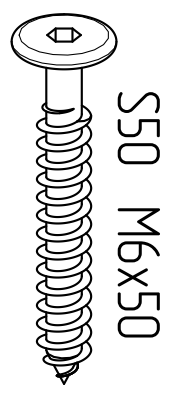
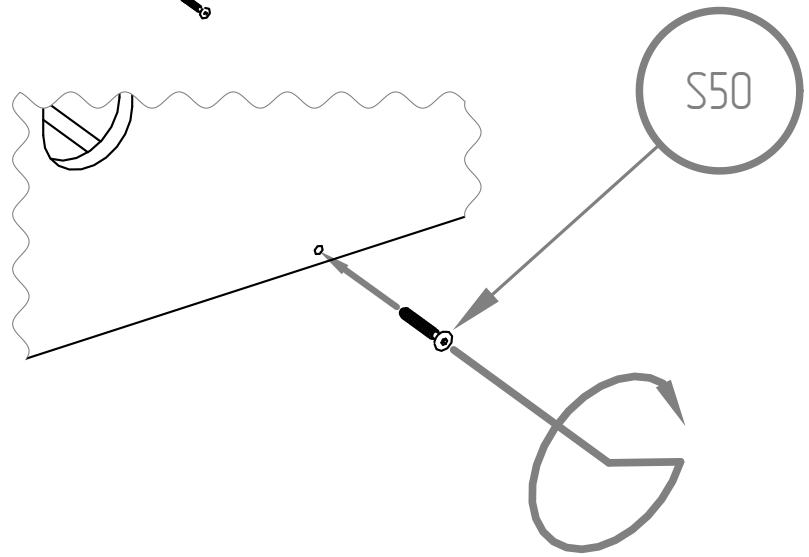
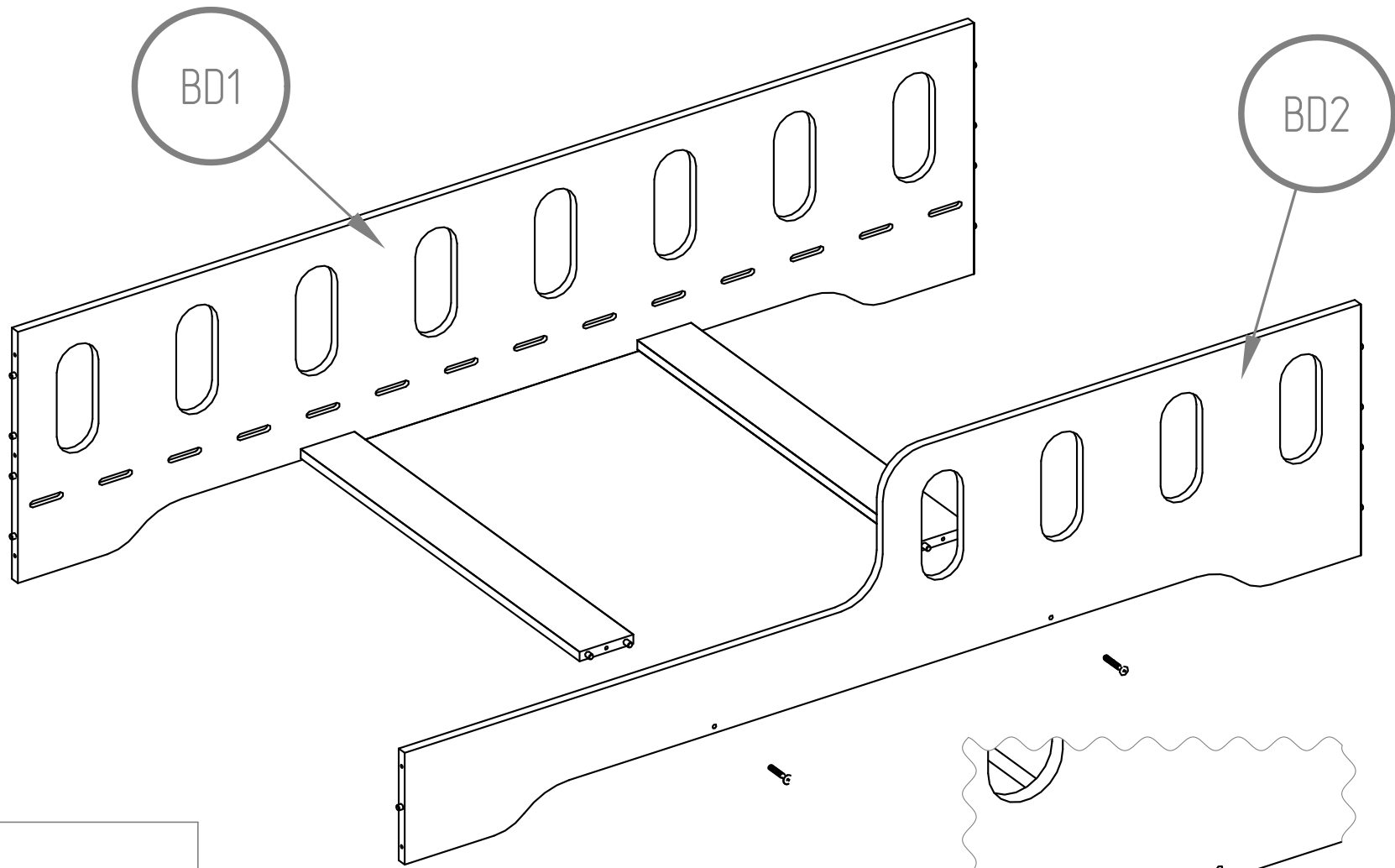
S50

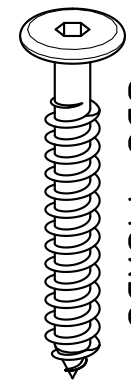


LKS

LKS

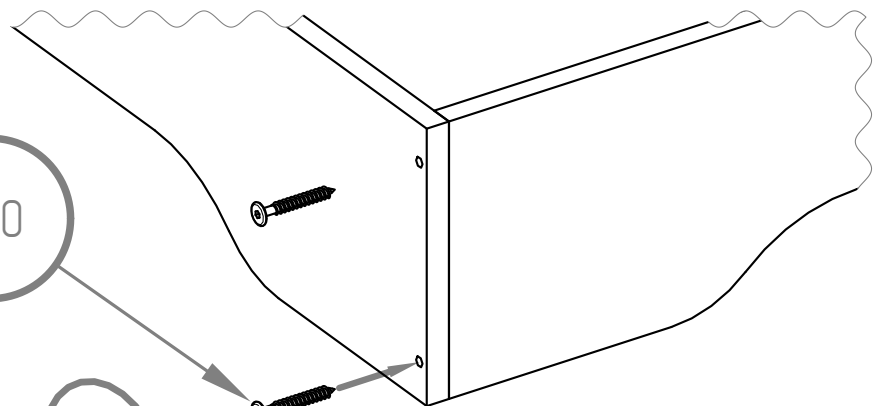




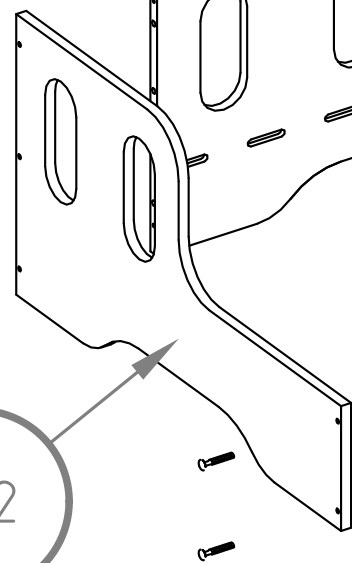


S50 M6x50

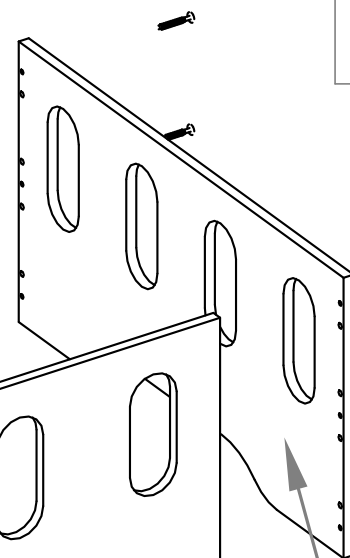
S50

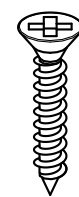


BK2

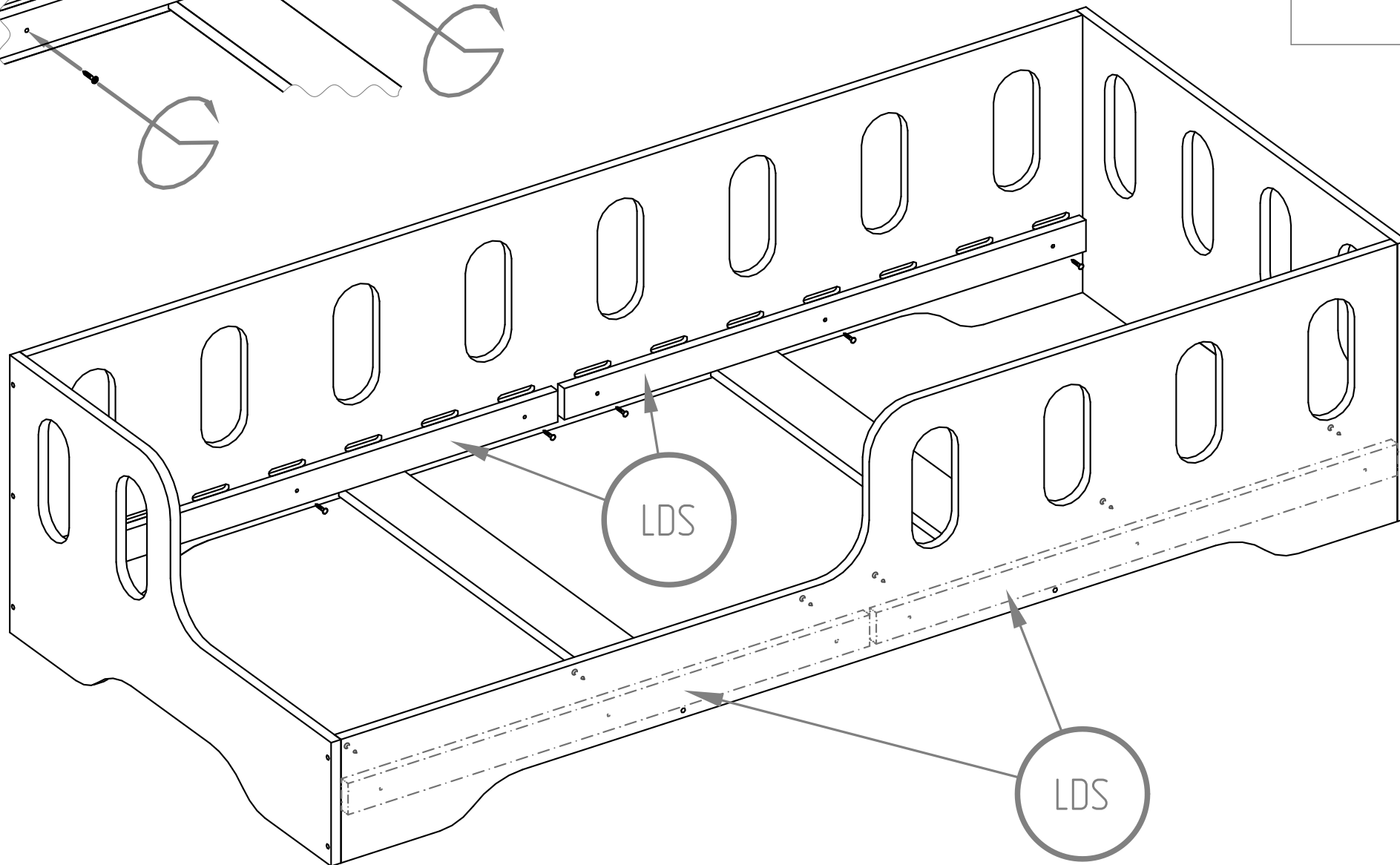
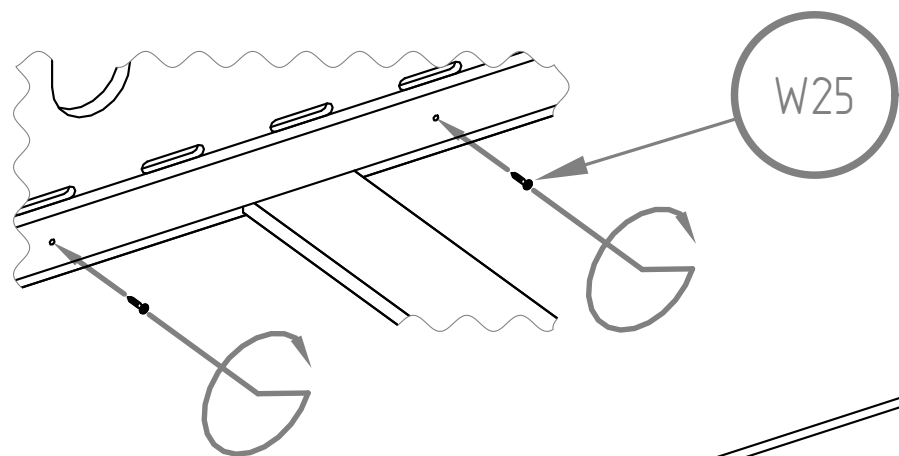


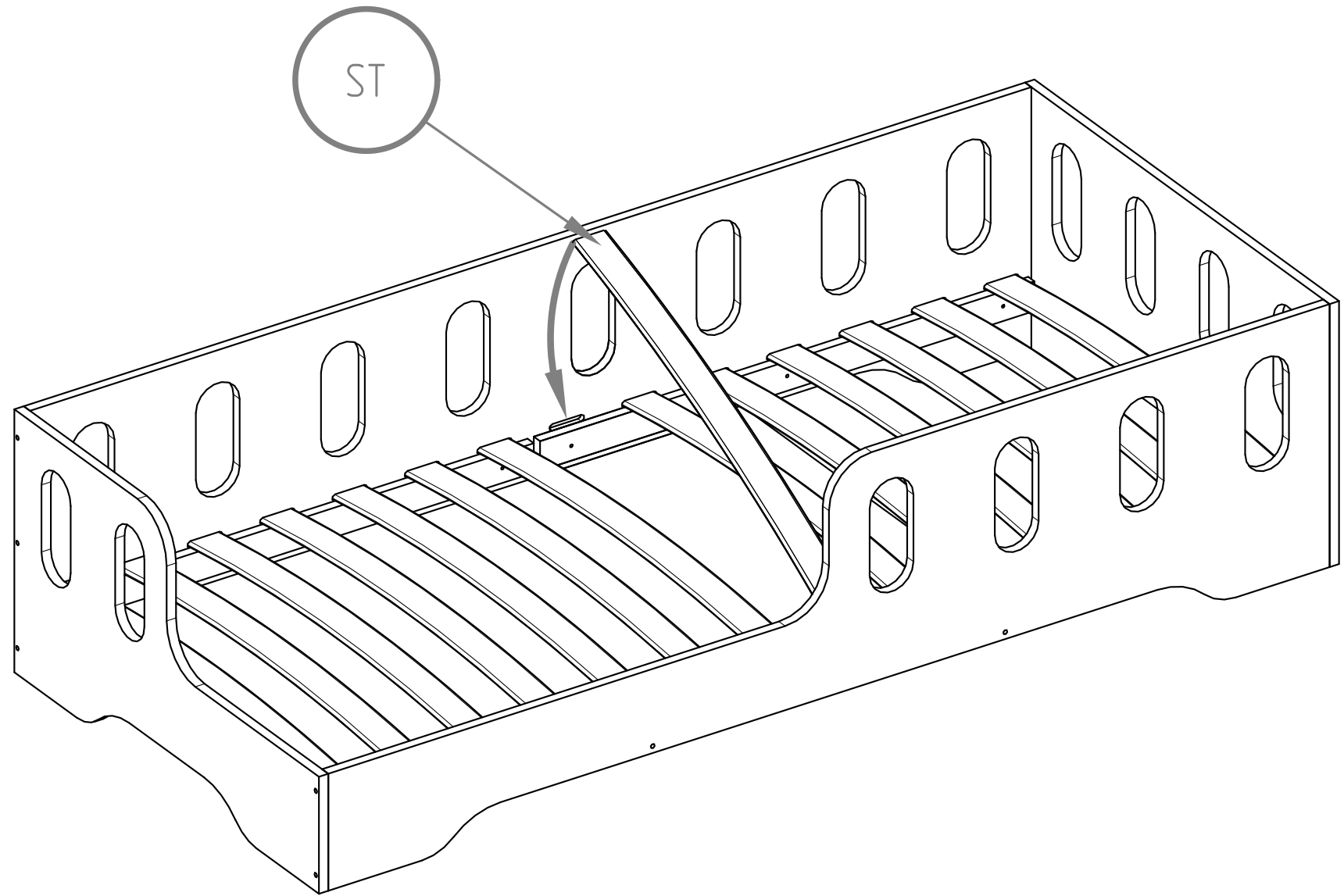
BK1





W25 M4x25





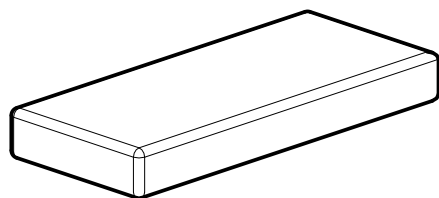


Beds are for sleeping,
not for jumping

Prohibit more than
one person on bed



IMPORTANT



Use only mattresses
with thickness of 8–12 cm



Bed parts have 2 years
warranty in normal use

Wooden parts should be cleaned with a dry cloth and ordinary
mild detergents for the care and cleaning of wooden parts