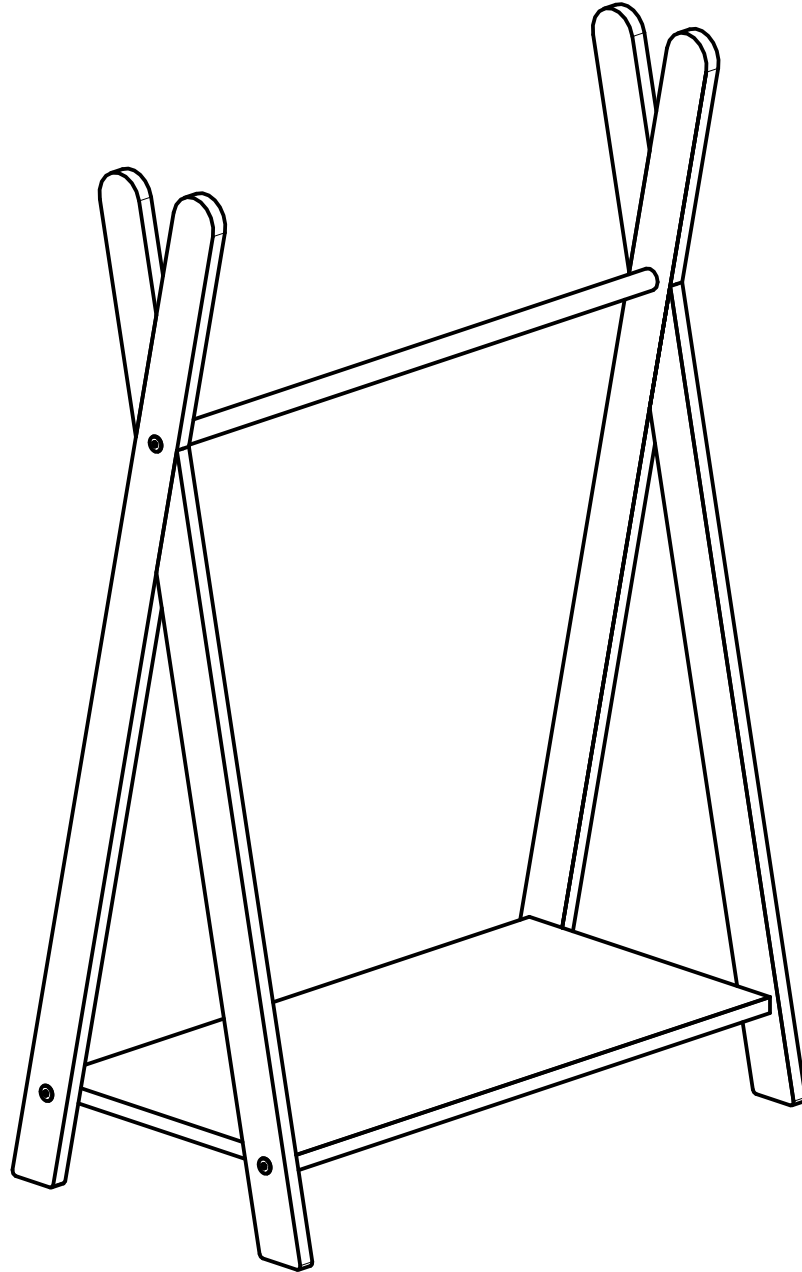
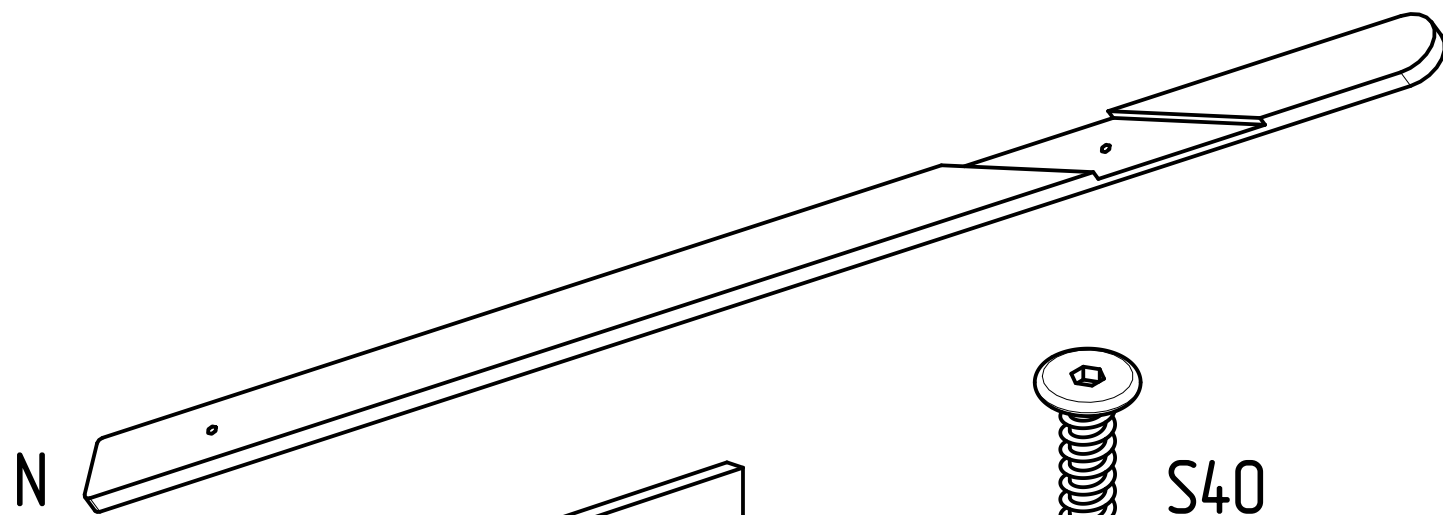
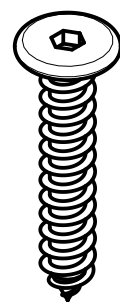


TIPI M

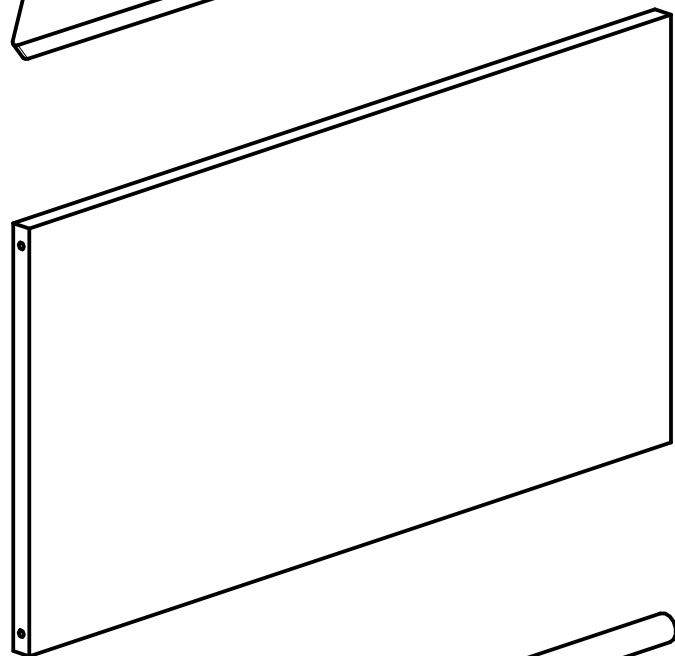




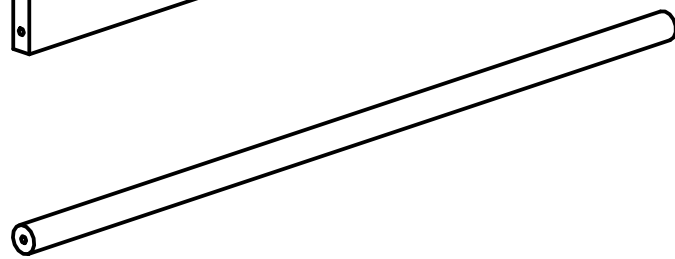
N



S40

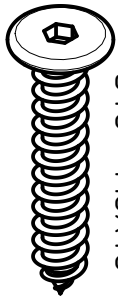


P



D

TIPI M	
N	x4
P	x1
D	x1
S40	x6



S40
07X9W 07S

